

## IP S-SIGHT SERIES

Provision-ISR S-SIGHT series provides you with all that you need for a simple installation. S-Sight cameras guarantee a superior image quality, improved night performance and make an outstanding value for money solution.

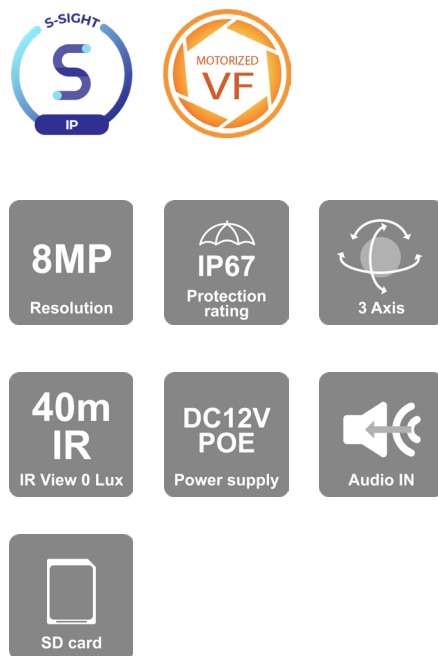


# DI-380IPS-MVF

## 40M IR 8MP MOTORIZED VARI-FOCAL LENS DOME/TURRET CAMERA

Equipped with a 2.8-12mm motorized lens, this 8MP Dome/Turret camera is designed for medium distance surveillance (up to 40m) in both indoor and outdoor scenarios.

With its great performances, reliability and affordable price, DI-380IPS-MVF camera is the perfect solution for any basic installation.



### MAIN FEATURES

- 8MP
- 3840x2160 Resolution
- 2.8-12mm Motorized Vari-Focal (102.7° - 32.2° )
- 3D-DNR
- IP67
- Audio in + Built in microphone

### ANALYTICS

- General Analytics: Camera Tampering
- Standard Analytics: Line Crossing, Sterile Area



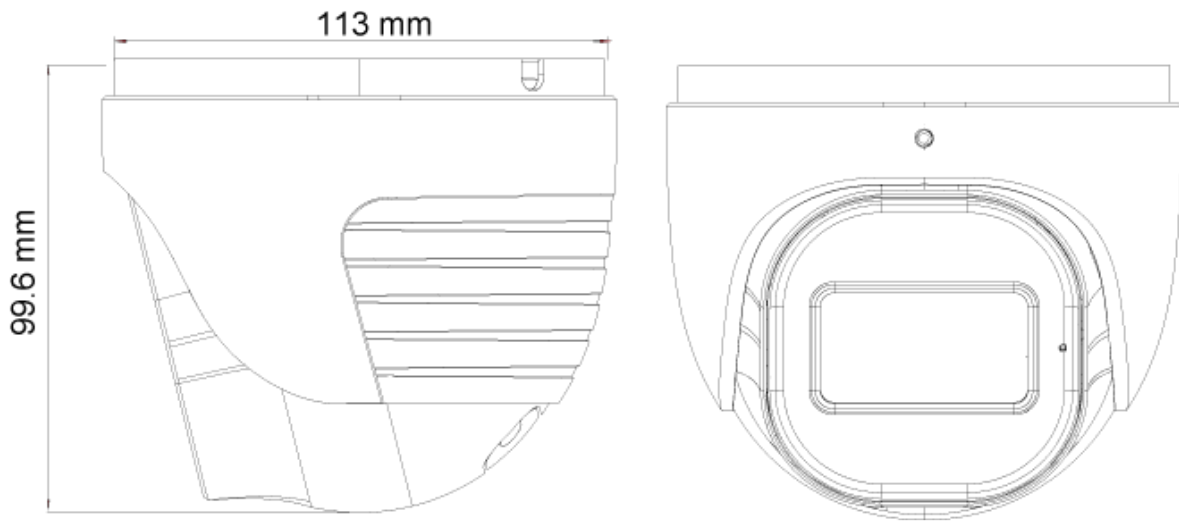
## SPECIFICATIONS

Image Sensor	1/2.7" CMOS (16:9)
Effective Pixels	3840x2160
Electronic Shutter	1s ~ 1/100000s
Frame Rate	1-20FPS
Day & Night	ICR
Min. Illumination	0.11 lux (@F1.4, AGC ON) 0 lux with IR on
Audio compression	G.711A/G.711U
Communication	One-way Audio
Image Settings	AWB, AGC Adjustable, Exposure Mode (Auto) Sharpness, Saturation, Brightness & Contrast Adjustable
Image Enhancement	Digital WDR, BLC, HLC, ROI
Noise Reduction	3D-DNR
Image Orientation	Mirror/Flip
Privacy Zone	Yes
Motion Detection	Yes
Analytics	General Analytics: Camera Tampering Standard Analytics: Line Crossing, Sterile Area
Video Compression	H.265 / H.264
Resolution	8MP / 6MP / 5MP / 4MP / 2MP / 1MP / D1 / QVGA / CIF
Multi-Stream	Master Stream: 8MP(3840x2160) / 6MP(3072x2048) / 5MP(2592x1944) / 4MP(2560x1440) / 2MP(1920x1080) Sub-Stream: 2MP/1MP/D1/CIF/QCIF Third Stream: 1MP/D1/CIF/QCIF (1~30fps)
Bit rate	64Kbps ~ 8Mbps@H.265 / 64Kbps ~ 8Mbps@H.264
Encode Mode	VBR/CBR
Image Quality	Five levels under VBR; Free adjustment under CBR
IR Distance	40m (3 High Power IR LED)
Lens (Field of View)	2.8-12mm MVF with Auto Focus (102.7°- 32.2°)

## SPECIFICATIONS

Iris	Fixed Iris (@F1.4)
Lens Mount	Ø14 Mount
Protection Rate	Water Proof: IP67
Bracket	3-Axis Bracket
Dimensions	Ø113mm×99.6mm
Weight (gross)	~640g
Network	RJ45 (+PoE)
Power	DC Socket
Analog Video Output	No
Audio Connectivity	Built-In Microphone + Audio Input
SD Card	Event/Schedule based Main/Sub-Stream recording (Up to 128Gb)
Hard Reset Button	Yes
Alarm	No
Remote Monitoring	IE Browsing, CMS Software, Provision Cam2 Mobile App
User Access	Supports simultaneous monitoring for up to 4 users with multi-stream real time transmission
Network Protocol	IPv4, IPv6, TCP, UDP, DHCP, NTP, DDNS, 802.1X, RTSP, Multicast, UPnP, Email, FTP, HTTPS, QoS
ONVIF	Yes
Ethernet	100Mbps
PoE	Yes
Power Supply	DC12V/~900mA / PoE/~10W
Work Environment	-30°C~60°C, 10%~90% Humidity
Junction Box	PR-JB14IP66 - PR-JB14IP64 - PR-WB-A

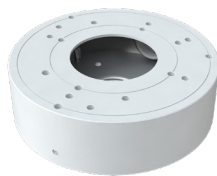
## DIMENSIONS



## ACCESSORIES



PR-JB14IP66



PR-JB14IP64



PR-WB-A