


BOSCH

Invented for life

UPA Power Supplies/Transformers



- ▶ Provides efficient, constant power for CCD and MegaPixel cameras, keyboards and other low power usage products
- ▶ Models are exceptionally energy efficient
- ▶ Meet or exceed International Energy Efficiency Level IV requirements
- ▶ 24 VAC and 12 VDC secondary output models
- ▶ Screw terminals for ease of installation on some models
- ▶ 120 VAC and 230 VAC power source models
- ▶ Safety agency certified

The Bosch UPA Series of Power Supplies is designed specifically for the continual use demands of professional surveillance products. While UPA models are used primarily with security cameras, their small size and high energy efficiency rating also make them ideal for powering a wide range of other low power security products, including many Allegiant® system accessories and control devices.

The UPA 60 Hz models are designed specifically to meet the strict efficiency standards and laws being adopted in the United States. These efficient power supplies meet or exceed the International Energy Efficiency Level IV requirements.

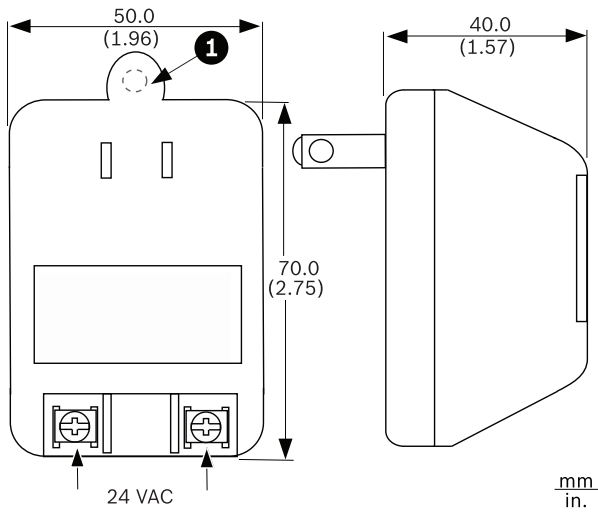
Certifications and Approvals

| | |
|-------------------------------------|--|
| Electromagnetic Compatibility (EMC) | Complies with FCC Part 15, ICES-003, and CE regulations |
| Product Safety | Complies with CE regulations, UL, CSA, EN, and IEC standards |
| Energy Efficiency | Meets Energy Efficiency Level IV |

Technical Specifications

| Model No. | Rated Input | Rated Output |
|--------------|-----------------------|------------------------|
| UPA-2410-60 | 120 VAC, 60 Hz | 24 VAC, 60 Hz, 10 VA |
| UPA-2430-60 | 120 VAC, 60 Hz | 24 VAC, 1.25 A, 30 VA |
| UPA-12300-60 | 120 VAC, 60 Hz | 12 VDC, 300 mA |
| TC1382 | 24 VAC, 50/60 Hz | 24 VAC, 50/60 Hz, 7 VA |
| UPA-2420-50 | 220-240 V, 50 Hz | 24 V, 20 VA |
| UPA-2450-60 | 120 VAC, 60 Hz | 24 VAC, 60 Hz, 50 VA |
| UPA-2450-50 | 230 VAC, 50 Hz | 24 VAC, 50 VA |
| UPA-1220-60 | 100-240 VAC, 50/60 Hz | 12 VDC, 1A, regulated |
| UPA-1220-50 | 100-240 VAC, 50/60 Hz | 12 VDC, 1A, regulated |
| UPA-1509-60 | 120 VAC, 60 Hz | 15 VDC, 600 mA |
| UPA-1509-50 | 220-240 VAC, 50/60 Hz | 15 VDC, 600 mA |

UPA-2410-60



UPA-2410-60 Power Supply

1 Legacy mounting tab

Electrical

| | |
|--------------|----------------------|
| Rated Input | 120 VAC, 60 Hz |
| Rated Output | 24 VAC, 60 Hz, 10 VA |

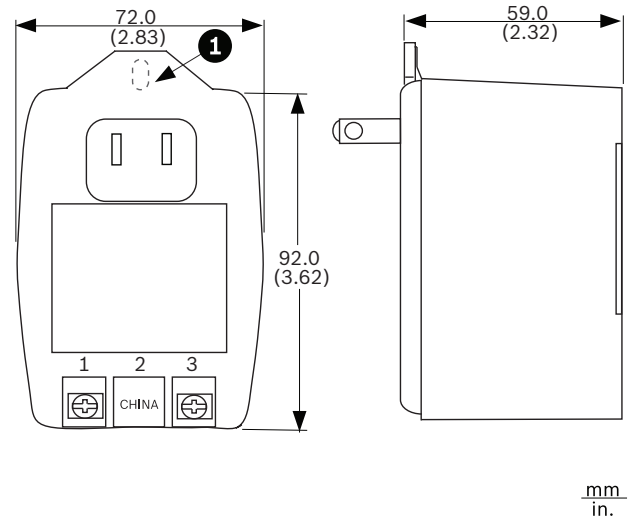
Mechanical

| | |
|------------------------|--|
| Input Connectors | 2-prong, North American standard (non-polarized) |
| Output Connectors | Two (2) screw terminals |
| Construction/Finish | Black plastic case |
| Dimensions (W x D x H) | 50 x 40 x 70 mm (1.96 x 1.57 x 2.75 in.) |
| Weight | 0.25 kg (0.56 lb) |
| Recommended Use | 24 VAC compact CCD cameras |

Environmental

| | |
|-----------------------|--------------------------------|
| Operating Temperature | -10°C to 40°C (14°F to 104°F) |
| Storage Temperature | -30°C to 75°C (-22°F to 167°F) |
| Humidity | 30% to 85% relative |

UPA-2430-60



UPA-2430-60 Power Supply

1 Legacy mounting tab

Electrical

| | |
|--------------|-----------------------|
| Rated Input | 120 VAC, 60 Hz |
| Rated Output | 24 VAC, 1.25 A, 30 VA |

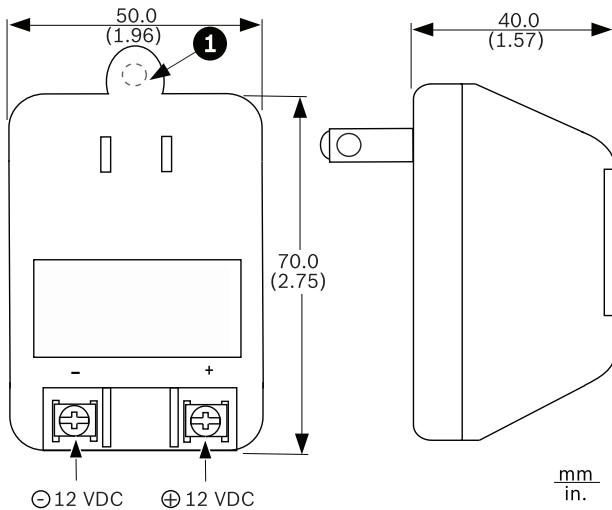
Mechanical

| | |
|------------------------|--|
| Input Connectors | 2-prong, North American standard (non-polarized) |
| Output Connectors | Two (2) screw terminals |
| Construction/Finish | Black plastic case |
| Dimensions (W x D x H) | 66.5 x 56.5 x 91.5 mm (2.62 x 2.22 x 3.60 in.) |
| Weight | 0.58 kg (1.28 lb) |
| Recommended Use | Medium power box cameras |

Environmental

| | |
|-----------------------|--------------------------------|
| Operating Temperature | -10°C to 40°C (14°F to 104°F) |
| Storage Temperature | -30°C to 80°C (-22°F to 176°F) |
| Humidity | 30% to 85% relative |

UPA-12300-60



UPA-12300-60 Power Supply

1 Legacy mounting tab

Electrical

| | |
|--------------|----------------|
| Rated Input | 120 VAC, 60 Hz |
| Rated Output | 12 VDC, 300 mA |

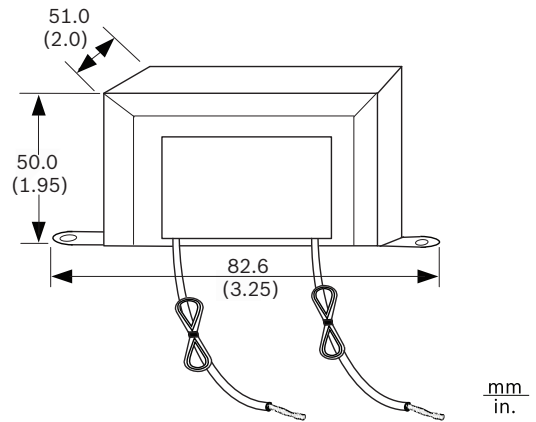
Mechanical

| | |
|------------------------|--|
| Input Connectors | 2-prong, North American standard (non-polarized) |
| Output Connectors | Two (2) screw terminals |
| Construction/Finish | Black plastic case |
| Dimensions (W x D x H) | 50 x 40 x 70 mm (1.96 x 1.57 x 2.75 in.) |
| Weight | 0.20 kg (0.44 lb) |
| Recommended Use | Bosch Flexidome camera series (low power models only – no heater, no IP) |

Environmental

| | |
|-----------------------|--------------------------------|
| Operating Temperature | -10°C to 40°C (14°F to 104°F) |
| Storage Temperature | -30°C to 75°C (-22°F to 167°F) |
| Humidity | 30% to 85% relative |

TC1382 Isolation Transformer



TC1382 Isolation Transformer

Electrical

| | |
|--------------|------------------------|
| Rated Input | 24 VAC, 50/60 Hz |
| Rated Output | 24 VAC, 50/60 Hz, 7 VA |

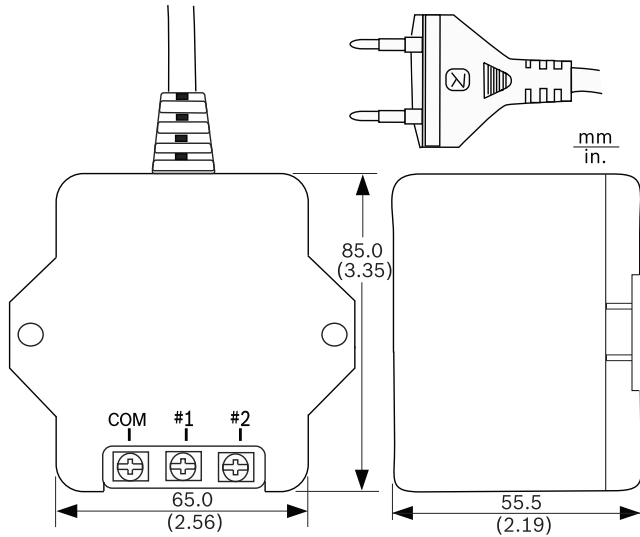
Mechanical

| | |
|------------------------|---|
| Input Connectors | Black wire leads, 203 mm (8 in.) |
| Output Connectors | Brown wire leads, 203 mm (8 in.) |
| Construction/Finish | Uncased |
| Dimensions (W x D x H) | 82.6 x 51 x 50 mm (3.25 x 2 x 1.95 in.) |
| Weight | 0.45 kg (1 lb) |
| Recommended Use | 24 VAC isolation of low powered box cameras |

Environmental

| | |
|-----------------------|--------------------------------|
| Operating Temperature | -10°C to 40°C (14°F to 104°F) |
| Storage Temperature | -30°C to 80°C (-22°F to 176°F) |
| Humidity | 30% to 85% relative |

UPA-2420-50



UPA-2420-50 Power Supply

Electrical

| | |
|--------------|------------------|
| Rated Input | 220-240 V, 50 Hz |
| Rated Output | 24 V, 20 VA |

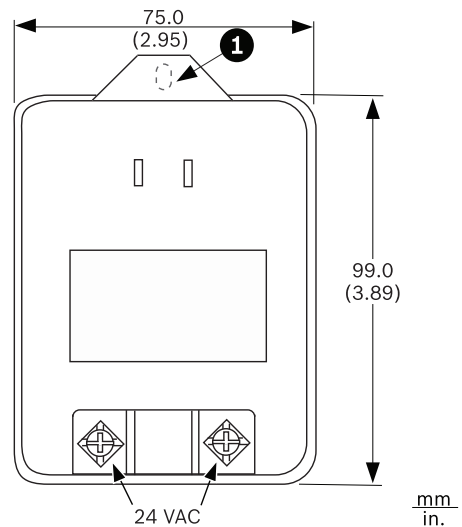
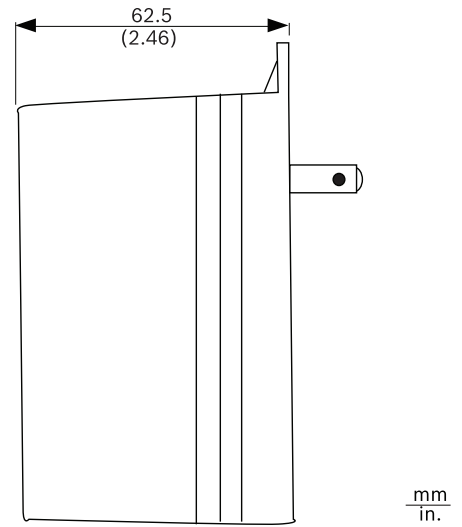
Mechanical

| | |
|------------------------|--|
| Input Connectors | 2-prong, European Europlug standard (4 mm / 19 mm) |
| Output Connectors | Three (3) screw terminals |
| Construction/Finish | Black plastic case |
| Dimensions (W x D x H) | 65.0 x 55.5 x 85.0 mm (2.56 x 2.19 x 3.35 in.) |
| Weight | 0.78 kg (1.72 lb) |
| Recommended Use | Medium power box cameras |

Environmental

| | |
|-----------------------|--------------------------------|
| Operating Temperature | -10°C to 40°C (14°F to 104°F) |
| Storage Temperature | -30°C to 80°C (-22°F to 176°F) |
| Humidity | 30% to 85% relative |

UPA-2450-60



UPA-2450-60 Power Supply

1 Legacy mounting tab

Electrical

| | |
|--------------|----------------|
| Rated Input | 120 VAC, 60 Hz |
| Rated Output | 24 VAC, 50 VA |

Mechanical

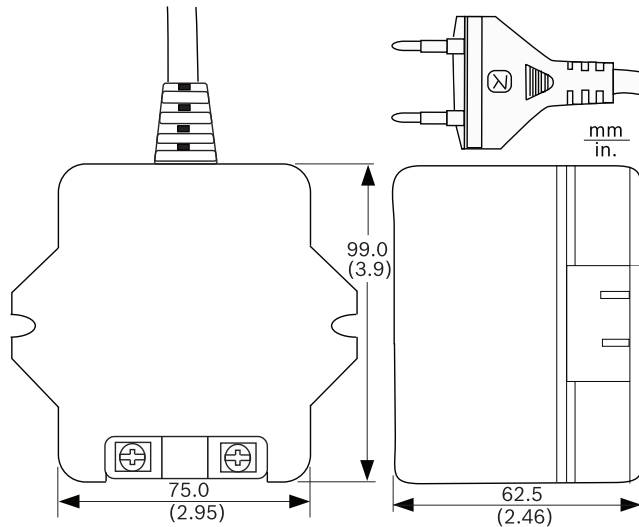
| | |
|------------------------|--|
| Input Connectors | 2-prong, North American standard (non-polarized) |
| Output Connectors | Two (2) screw terminals |
| Construction/Finish | Black plastic case |
| Dimensions (W x D x H) | 75.0 x 62.5 x 99.0 mm (2.95 x 2.46 x 3.89 in.) |
| Weight | 0.84 kg (1.86 lb) |
| Recommended Use | Bosch KBE Series pre-package cameras |

Environmental

Operating Temperature -10°C to 40°C
(14°F to 104°F)

Storage Temperature -30°C to 80°C
(-22°F to 176°F)

Humidity 30% to 85% relative

UPA-2450-50

UPA-2450-50 Power Supply

Electrical

Rated Input 230 VAC, 50 Hz

Rated Output 24 VAC, 50 VA

Mechanical

Input Connectors 2-prong, European Europlug standard
(4 mm / 19 mm)

Output Connectors Two (2) screw terminals

Construction/Finish Black plastic case

Dimensions (W x D x H) 75 x 62.5 x 99.0 mm
(2.95 x 2.46 x 3.9 in.)

Weight 1.16 kg (2.56 lb)

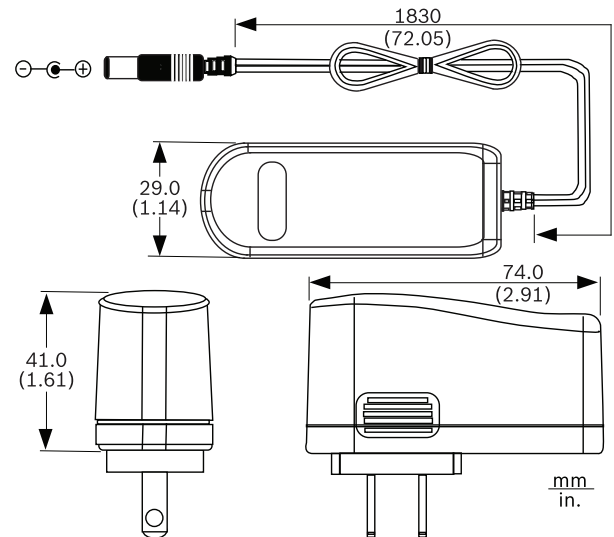
Recommended Use Bosch KBE Series pre-package camera

Environmental

Operating Temperature -10°C to 40°C
(14°F to 104°F)

Storage Temperature -30°C to 75°C
(-22°F to 167°F)

Humidity 30% to 85% relative

UPA-1220-60

UPA-1220-60 Power Supply

Electrical

Rated Input 100-240 VAC, 50/60 Hz

Rated Output 12 VDC, 1.0 A, regulated

Mechanical

Input Connectors 2-prong, North American standard (non-polarized)

Output Connectors 2.1 x 5.5 x 10.0 mm plug
(0.8 x 0.22 x 0.4 in.)

Construction/Finish Black plastic case

Dimensions (W x D x H) 74.0 x 29.0 x 41.0 mm
(2.91 x 1.14 x 1.61 in.)

Weight 0.12 kg (0.26 lb)

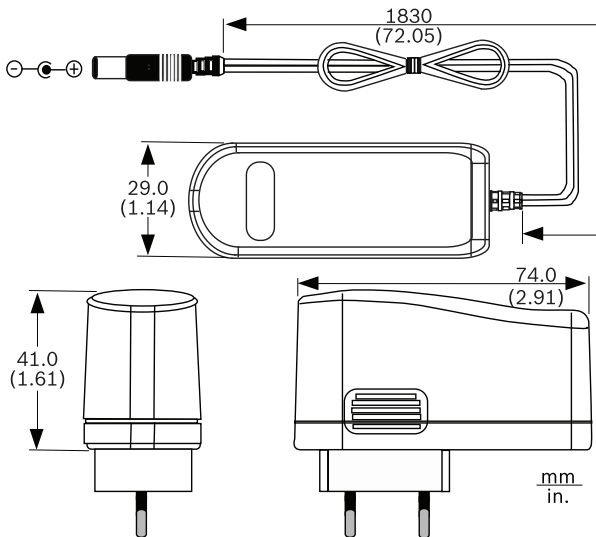
Recommended Use Bosch megapixel cameras

Environmental

Operating Temperature -10°C to 40°C
(14°F to 104°F)

Storage Temperature -30°C to 80°C
(-22°F to 176°F)

Humidity 30% to 85% relative

UPA-1220-50

UPA-1220-50 Power Supply

Electrical

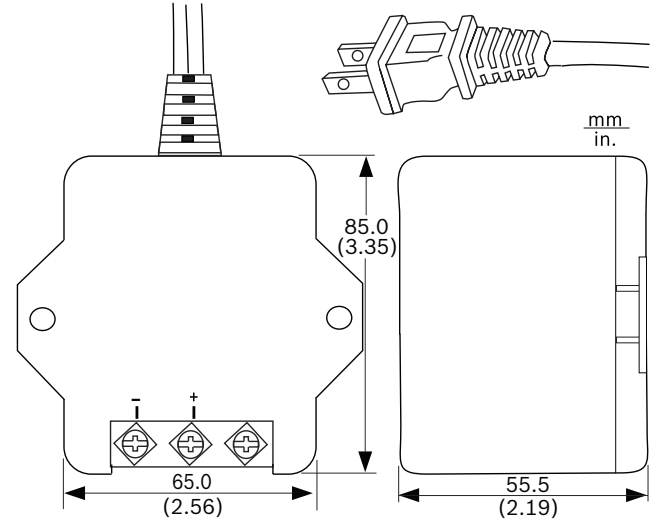
| | |
|--------------|--------------------------|
| Rated Input | 100-240 VAC, 50/60 Hz |
| Rated Output | 12 VDC, 1.0 A, regulated |

Mechanical

| | |
|------------------------|--|
| Input Connectors | 2-prong, European Europlug standard (4 mm / 19 mm) |
| Output Connectors | 2.1 x 5.5 x 10.0 mm plug (0.8 x 0.22 x 0.4 in.) |
| Construction/Finish | Black plastic case |
| Dimensions (W x D x H) | 74.0 x 29.0 x 41.0 mm (2.91 x 1.14 x 1.61 in.) |
| Weight | 0.12 kg (0.26 lb) |
| Recommended Use | Bosch megapixel cameras |

Environmental

| | |
|-----------------------|--------------------------------|
| Operating Temperature | -10°C to 40°C (14°F to 104°F) |
| Storage Temperature | -30°C to 80°C (-22°F to 176°F) |
| Humidity | 30% to 85% relative |

UPA-1509-60

UPA-1509-60 Power Supply

Electrical

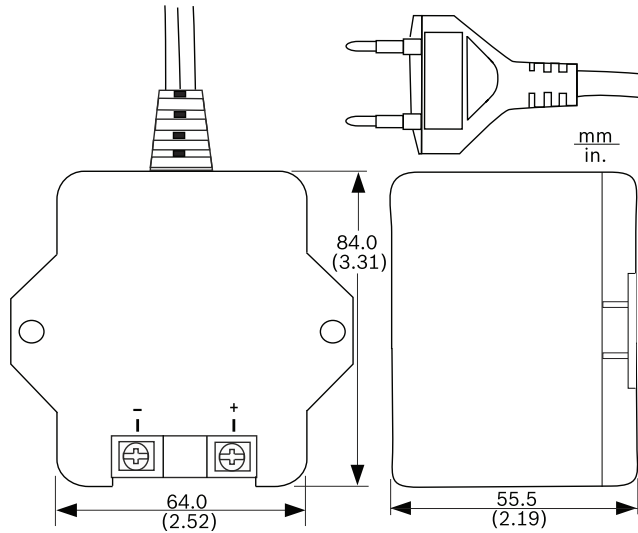
| | |
|--------------|----------------|
| Rated Input | 120 VAC, 60 Hz |
| Rated Output | 15 VDC, 600 mA |

Mechanical

| | |
|------------------------|--|
| Input Connectors | 2-prong, North American standard (non-polarized) |
| Output Connectors | Three (3) screw terminals |
| Construction/Finish | Black plastic case |
| Dimensions (W x D x H) | 64.7 x 53.8 x 84.7 mm (2.55 x 2.12 x 3.33 in.) |
| Weight | 0.66 kg (1.46 lb) |
| Recommended Use | Bosch IntuiKey Series keyboards, LTC 8786 Series converters, LTC 8782 Series translators, LTC 8557 Series extension kits |

Environmental

| | |
|-----------------------|--------------------------------|
| Operating Temperature | -10°C to 40°C (14°F to 104°F) |
| Storage Temperature | -30°C to 70°C (-22°F to 158°F) |
| Humidity | 35% to 85% relative |

UPA-1509-50

UPA-1509-50 Power Supply

Electrical

| | |
|--------------|-----------------------|
| Rated Input | 220-240 VAC, 50/60 Hz |
| Rated Output | 15 VDC, 600 mA |

Mechanical

| | |
|---------------------------|--|
| Input Connectors | 2-prong, European Europlug standard (4 mm / 19 mm) |
| Output Connectors | Three (3) screw terminals |
| Construction/Finish | Black plastic case |
| Dimensions (W x D x H) | 64.7 x 53.8 x 84.7 mm (2.55 x 2.12 x 3.33 in.) |
| Weight | 0.66 kg (1.46 lb) |
| Recommended Use | Bosch IntuiKey Series keyboards, LTC 8786 Series converters, LTC 8782 Series transla- tors, LTC 8557 Series extension kits |

Environmental

| | |
|-----------------------|-----------------------------------|
| Operating Temperature | -10°C to 40°C (14°F to 104°F) |
| Storage Temperature | -30°C to 80°C (-22°F to 176°F) |
| Humidity | 30% to 85% relative |

Ordering Information

| | |
|--|-------------------|
| UPA-2410-60 Power Supply 120VAC, 60Hz, 24VAC, 10VA Out | F01U075076 |
| UPA-2430-60 Power Supply 120VAC, 60Hz, 24VAC, 30VA Out | F01U075079 |
| UPA-12300-60 Power Supply 120VAC, 60Hz, 12VDC, 300mA Out | F01U075078 |
| TC1382 Isolation Transformer 24VAC, 7VA | F01U503762 |

**Ordering Information**

| | |
|---|-------------------|
| UPA-2420-50 Power Supply 220VAC, 50Hz, 24VAC, 20VA Out | F01U076160 |
| UPA-2450-60 Power Supply 120VAC, 60Hz, 24VAC, 50VA Out | F01U076154 |
| UPA-2450-50 Power Supply 220VAC, 50Hz, 24VAC, 50VA Out | F01U076157 |
| UPA-1220-60 Power Supply 120VAC, 60Hz, 12VDC, 1A Out, regulated | F01U076155 |
| UPA-1220-50 Power Supply 220VAC, 50Hz, 12VDC, 1A Out, regulated | F01U076158 |
| UPA-1509-60 Power Supply 120VAC, 60Hz, 15VDC, 9VA Out | F01U076156 |
| UPA-1509-50 Power Supply 220VAC, 50Hz, 15VDC, 9VA Out | F01U076159 |

Americas:

Bosch Security Systems, Inc.
130 Perinton Parkway
Fairport, New York, 14450, USA
Phone: +1 800 289 0096
Fax: +1 585 223 9180
security.sales@us.bosch.com
www.boschsecurity.us

Europe, Middle East, Africa:

Bosch Security Systems B.V.
P.O. Box 80002
5600 JB Eindhoven, The Netherlands
Phone: +31 40 2577 284
Fax: +31 40 2577 330
emea.securitysystems@bosch.com
www.boschsecurity.com

Asia-Pacific:

Bosch Security Systems Pte Ltd
38C Jalan Pemimpin
Singapore 577180
Phone: +65 6319 3450
Fax: +65 6319 3499
apr.securitysystems@bosch.com
www.boschsecurity.com

Represented by