

DS-2CD6924G0-IHS(C) 180° Stitched 8 MP PanoVu Camera



- 180° splicing image to present all scenes that covered by the camera
- Built-in heater, ultra-low temperature start up to -40 °C (-40 °F)
- Water and dust resistant (IP67) and vandal proof (IK10)



▪ Specification

Camera	
Image Sensor	1/1.8" Progressive Scan CMOS
Max. Resolution	Panorama+ePTZ mode: panorama channel: 1920 × 1080; ePTZ channel: 1920 × 1080 Panorama mode: 3840 × 2160 Original mode: 1920 × 1080
Min. Illumination	Color: 0.009 Lux @ (F1.6, AGC ON) B/W: 0.0018 Lux @ (F1.6, AGC ON), 0 Lux with IR
Shutter Time	1/25 s to 1/100,000 s
Day & Night	IR cut filter. Blue glass module to reduce ghost phenomenon.
Angle Adjustment	Pan: 0° to 355°, tilt: 0° to 90°
Lens	
Lens Type	Fixed focal lens, 2.8 mm, four lenses
Focal Length & FOV	2.8 mm, horizontal FOV 180°, vertical FOV 90°
Lens Mount	M16
Aperture	F1.6
DORI	
DORI	2.8 mm: D: 32 m, O: 12.5 m, R: 6.5 m, l: 3 m
Illuminator	
Supplement Light Type	IR, four IR LEDs
Supplement Light Range	Up to 20 m
IR Wavelength	850 nm
Video	
Main Stream	Panorama+ePTZ mode: Panorama channel: 50 Hz: 25 fps (1920 × 1080, 1280 × 720) 60 Hz: 30 fps (1920 × 1080, 1280 × 720) ePTZ channel: 50 Hz: 25 fps (1920 × 1080, 1280 × 720) 60 Hz: 30 fps (1920 × 1080, 1280 × 720) Panorama mode: 50 Hz: 25 fps (3840 × 2160 , 2560 × 1440 , 1920× 1080) 60 Hz: 30 fps (3840 × 2160 , 2560 × 1440 , 1920× 1080) Original mode: 50 Hz: 25 fps (1920× 1080) 60 Hz: 30 fps (1920× 1080)
Sub-Stream	Panorama mode: 50 Hz: 25 fps (1280 × 720, 640 × 360) 60 Hz: 30 fps (1280 × 720, 640 × 360)
Video Compression	Main stream: H.265+/H.265/H.264+/H.264/MJPEG (panorama + ePTZ mode, panorama mode) Sub-stream: H.265/H.264/MJPEG (original mode)
Video Bit Rate	32 Kbps to 64 Mbps
H.264 Type	Baseline Profile/ Main Profile/ High Profile

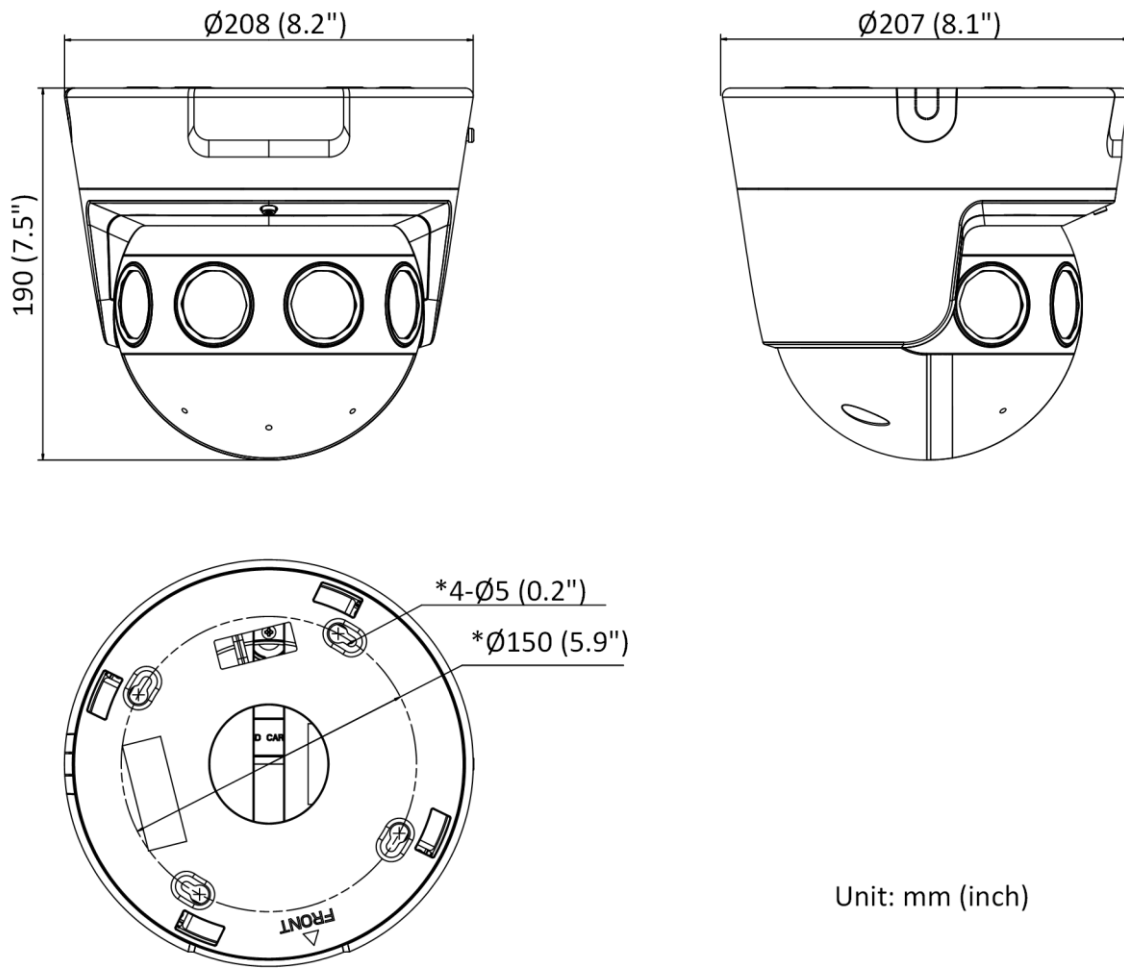
H.265 Type	Main Profile
Scalable Video Coding (SVC)	H.264 and H.265 encoding
Target Cropping	Yes (only panorama mode supports)
Audio	
Audio Compression	G.711/G.722.1/G.726/MP2L2/PCM/AAC-LC
Audio Bit Rate	64 Kbps (G.711)/16 Kbps (G.722.1)/16 Kbps (G.726)/32 to 192 Kbps (MP2L2)/16 to 64 Kbps (AAC-LC)
Audio Sampling Rate	8 kHz/16 kHz/32 kHz/48 kHz
Environment Noise Filtering	Yes
Network	
Protocols	TCP/IP, ICMP, HTTP, HTTPS, FTP, DHCP, DNS, DDNS, RTP, RTSP, RTCP, PPPoE, NTP, UPnP, SMTP, SNMP, IGMP, 802.1X, QoS, IPv6, UDP, Bonjour
Simultaneous Live View	Up to 20 channels
API	Open Network Video Interface (PROFILE S, PROFILE G), ISAPI, SDK, ISUP
User/Host	Up to 32 users. 3 user levels: administrator, operator and user
Security	Password protection, complicated password, HTTPS encryption, 802.1X authentication (EAP-TLS, EAP-LEAP, EAP-MD5), watermark, IP address filter, basic and digest authentication for HTTP/HTTPS, WSSE and digest authentication for Open Network Video Interface, RTP/RTSP over HTTPS, control timeout settings, TLS1.1, TLS 1.2, TLS1.3
Network Storage	NAS (NFS,SMB/CIFS), ANR
Client	iVMS-4200
Web Browser	Plug-in required live view: IE 10, IE 11 Plug-in free live view: Safari 12+ Local service: Chrome 57+, Firefox 52+
Image	
Image Settings	Rotate mode (only original mode supports), saturation, brightness, contrast, sharpness, AGC, and white balance are adjustable by client software or web browser
Day/Night Switch	Day/Night/Auto/Schedule/Triggered by Alarm In
Wide Dynamic Range (WDR)	Digital WDR
Image Enhancement	BLC, HLC, 3D DNR, Defog, EIS (only the original mode supports)
Privacy Mask	4 programmable polygon privacy masks, Only original mode supports.
Picture Overlay	LOGO picture can be overlaid on video with 128 × 128 24 bit bmp format
Interface	
Ethernet Interface	1 RJ45 10 M/100 M/1000 M Ethernet port
On-Board Storage	Built-in memory card slot, support microSD/SDHC/SDXC card (up to 256 GB)
Audio	1 input (line in), 3.5 mm, three-contact, max. input amplitude: 1 vpp, input impedance: 4.7 K Ω , interface type: non-equilibrium; 1 output (line out), 3.5 mm, three-contact, max. output amplitude: 1 vpp, output impedance: 100 Ω , interface type: non-equilibrium
Alarm	2 inputs, 2 outputs (max. 24 VDC, 1 A)
RS-485	1 RS-485 interface (half duplex, HIKVISION, Pelco-P, Pelco-D, self-adaptive)
Reset Key	Yes
Event	
Basic Event	Motion detection, exception (network disconnected, IP address conflict, illegal login, HDD full, HDD error)

Smart Event	Line crossing detection, intrusion detection, region entrance detection, region exiting detection, scene change detection, audio exception, unattended baggage detection, object removal detection (Only panorama mode supports.)
Linkage	Upload to FTP/NAS/memory card, notify surveillance center, send email, trigger alarm output, trigger recording, trigger capture
General	
Power	12 VDC, 1.4 A, max. 24 W, three-core terminal block PoE: 802.3at, 42.5 V to 57 V, 0.5 to 0.4 A
Material	Aluminum alloy
Dimension	190 mm × 208 mm × 207 mm (7.5" × 8.2" × 8.1")
Package Dimension	340 mm × 261 mm × 293 mm (13.4" × 10.3" × 11.5")
Weight	Approx. 3350 g (6.6 lb.)
With Package Weight	Approx. 5420 g (11 lb.)
Storage Conditions	-40 °C to +60 °C (-40 °F to +140 °F). Humidity 95% or less (non-condensing)
Startup and Operating Conditions	-40 °C to +60 °C (-40 °F to +140 °F). Humidity 95% or less (non-condensing)
Language	33 languages: English, Russian, Estonian, Bulgarian, Hungarian, Greek, German, Italian, Czech, Slovak, French, Polish, Dutch, Portuguese, Spanish, Romanian, Danish, Swedish, Norwegian, Finnish, Croatian, Slovenian, Serbian, Turkish, Korean, Traditional Chinese, Thai, Vietnamese, Japanese, Latvian, Lithuanian, Portuguese (Brazil), Ukrainian
General Function	Anti-flicker, heartbeat, mirror (only original mode and panorama mode supports), password protection, watermark, IP address filter, pixel counter (only panorama mode supports)
Heater	Yes
Approval	
EMC	FCC: 47 CFR Part 15, Subpart B CE-EMC: EN 55032: 2015, EN 61000-3-2:2019, EN 61000-3-3:2013+A1:2019, EN 50130-4: 2011 +A1: 2014 RCM: AS/NZS CISPR 32: 2015 IC: ICES-003: Issue 7 KC: KN 32: 2015, KN 35: 2015
Safety	UL: UL 62368-1 CB: IEC 62368-1:2014+A11 CE-LVD: EN 62368-1:2014/A11:2017 BIS: IS 13252 (Part 1): 2010/IEC 60950-1 : 2005 LOA: IEC/EN 60950-1
Environment	CE-RoHS: 2011/65/EU WEEE: 2012/19/EU Reach: Regulation (EC) No 1907/2006
Protection	IP67: IEC 60529-2013, IK10: IEC 62262:2002

▪ Available Model

DS-2CD6924G0-IHS(C) (2.8 mm)

▪ **Dimension**



▪ **Accessory**

▪ **Optional**

DS-1661ZJ	DS-1602ZJ
Pendant Mount	Wall Mount
	

Distributed by

**HIKVISION®****Headquarters**

No.555 Qianmo Road, Binjiang District,
Hangzhou 310051, China
T +86-571-8807-5998
overseasbusiness@hikvision.com

Hikvision USA
T +1-909-895-0400
sales.usa@hikvision.com

Hikvision Australia
T +61-2-8599-4233
salesau@hikvision.com

Hikvision India
T +91-22-28469900
sales@pramahikvision.com

Hikvision Canada
T +1-866-200-6690
sales.canada@hikvision.com

Hikvision Thailand
T +662-275-9949
sales.thailand@hikvision.com

Hikvision Europe
T +31-23-5542770
sales.eu@hikvision.com

Hikvision Italy
T +39-0438-6902
info.it@hikvision.com

Hikvision Brazil
T +55 11 3318-0050
Latam.support@hikvision.com

Hikvision Turkey
T +90 (216)521 7070- 7074
sales.tr@hikvision.com

Hikvision Malaysia
T +601-7652-2413
sales.my@hikvision.com

Hikvision UK & Ireland
T +01628-902140
sales.uk@hikvision.com

Hikvision South Africa
Tel: +27 (10) 0351172
sale.africa@hikvision.com

Hikvision France
T +33(0)1-85-330-450
info.fr@hikvision.com

Hikvision Kazakhstan
T +7-727-9730667
nikia.panfilov@hikvision.ru

Hikvision Vietnam
T +84-974270888
sales.vt@hikvision.com

Hikvision UAE
T +971-4-4432090
salesme@hikvision.com

Hikvision Singapore
T +65-6684-4718
sg@hikvision.com

Hikvision Spain
T +34-91-737-16-55
info.es@hikvision.com

Hikvision Tashkent
T +99-87-1238-9438
uzb@hikvision.ru

Hikvision Hong Kong
T +852-2151-1761
info.hk@hikvision.com

Hikvision Russia
T +7-495-669-67-99
saleru@hikvision.com

Hikvision Korea
T +82-(0)31-731-8817
sales.korea@hikvision.com

Hikvision Poland
T +48-22-460-01-50
info.pl@hikvision.com

Hikvision Indonesia
T +62-21-2933759
Sales.Indonesia@hikvision.com

Hikvision Colombia
sales.colombia@hikvision.com